



INSTALLATION INSTRUCTIONS FOR PART 98-8999

Applications

MITSUBISHI (page1)

3000 GT 1991-1999, Diamante 1997-2004, Eclipse 1995-2005, Galant*1994-2009 (* With Manual Climate Control), Mirage 1997-2003, Montero 1996-2005, Montero Sport 2000-2004

SUBURU (page2)

Baja 2003-2005, Forester 1998-2008, Impreza 1993-2007, Impreza WRX 2002-2005, Legacy 1995-2004, Outback 2000-2004

VOLKSWAGEN (page3)

Golf 2001-2005, Jetta**2001-2005 (** No Including New A5) Passat 2001-2005

98-8999

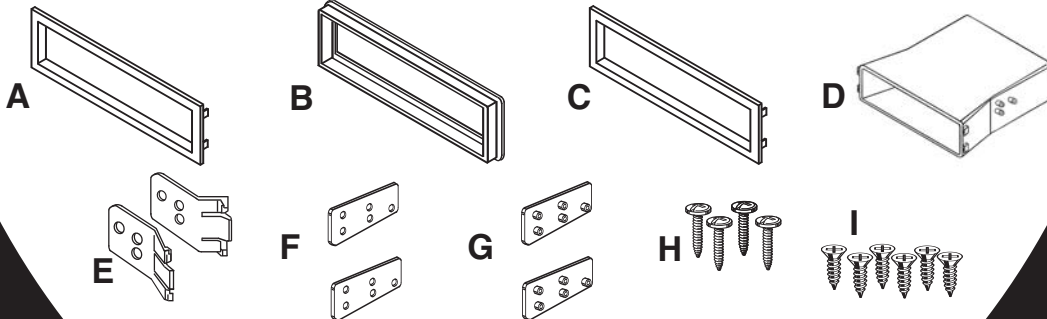


KIT FEATURES

- Holds Three CD Jewel Cases

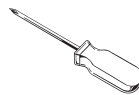
KIT COMPONENTS

- A) VW Pocket Trim Plate • B) Subaru Pocket Trim Plate • C) Mitsubishi Trim Plate • D) Pocket
 • E) (2) VW Brackets • F) (2) Left Brackets • G) (2) Right Brackets • H) (4) #8 x 1/4" Phillips Pan Head Screws
 I) (6) #6 x 1/4" Phillips Flat Head Screws



TOOLS REQUIRED:

Phillips Screwdriver



1-800-221-0932

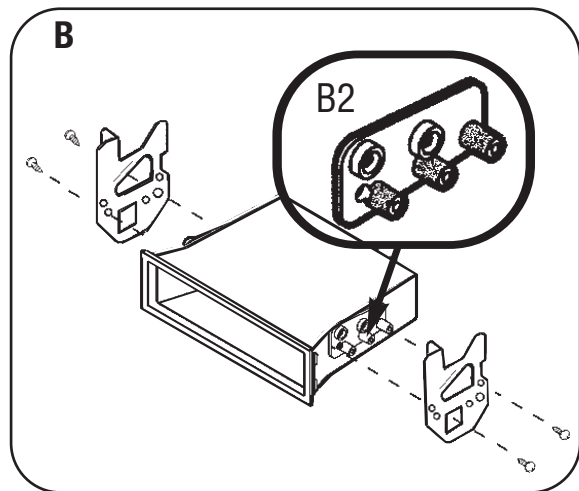
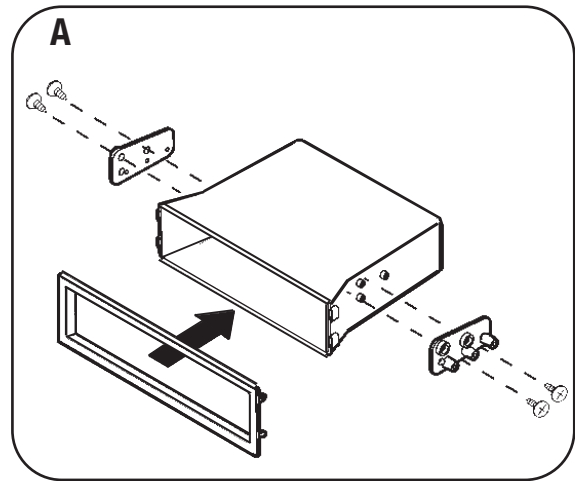


www.metraonline.com

© COPYRIGHT 2002-2008 METRA ELECTRONICS CORPORATION

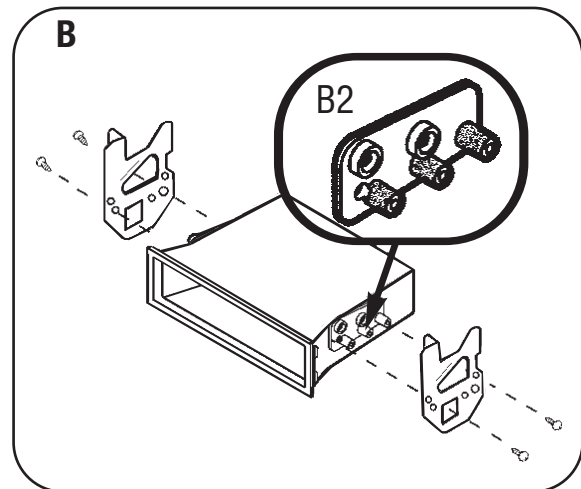
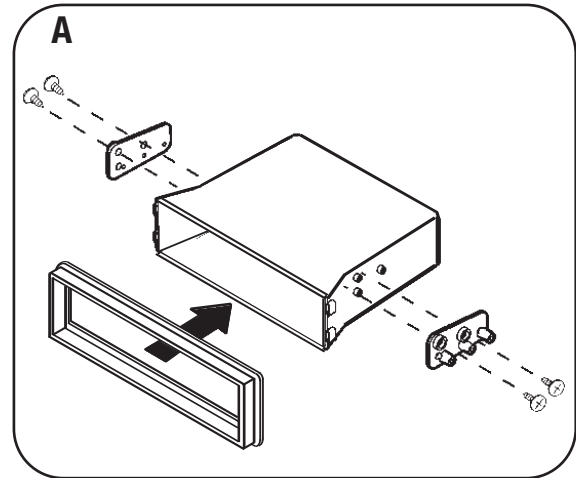
MITSUBISHI POCKET

- 1** Disconnect the negative battery terminal to prevent an accidental short circuit.
- 2** Snap Pocket Trimplate **MIT** onto the front of the **Pocket**. Locate one of the **Left Brackets** and mount it to the "L" side of the Pocket with **(2) #6 x 1/4" Phillips Flat Head Screws**. Next locate one of the **Right Brackets** and mount it to the "R" side of the Pocket with **(2) #6 x 1/4" Phillips Flat Head Screws**. (Figure A)
- 3** Mount the factory brackets to the shaded bosses (Fig. B2) with **(4) #8 x 1/4" Phillips Pan Head Screws** supplied and mount the entire assembly to the sub-dash. (Figure B)



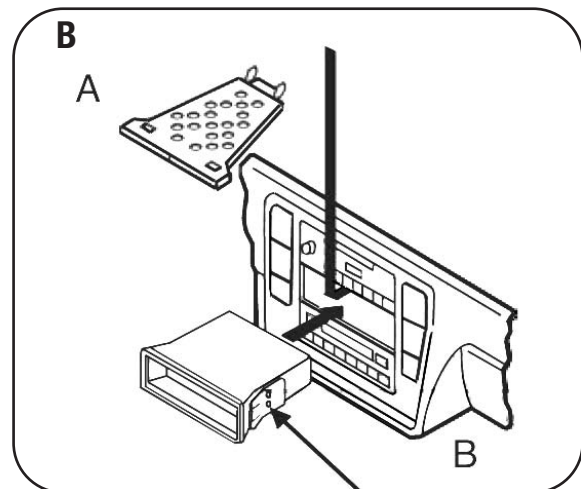
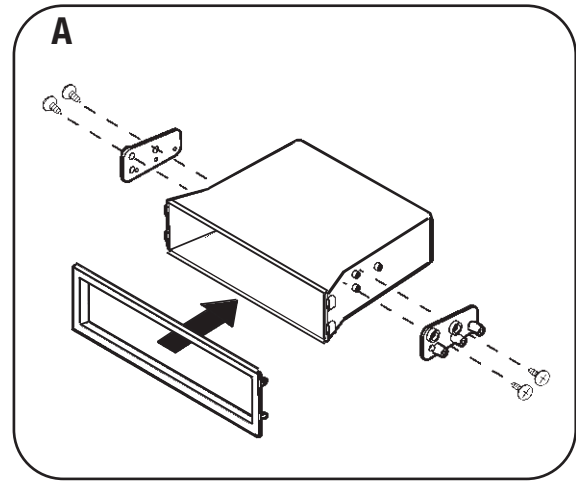
SUBARU POCKET

- 1 Disconnect the negative battery terminal to prevent an accidental short circuit.
- 2 Snap Pocket Trimplate **SUB** onto the front of the **Pocket**. Locate one of the **Left Brackets** and mount it to the "L" side of the Pocket with **(2) #6 x 1/4" Phillips Flat Head Screws**. Next locate one of the **Right Brackets** and mount it to the "R" side of the Pocket with **(2) #6 x 1/4" Phillips Flat Head Screws**. (Figure A)
- 3 Mount the factory brackets to the shaded bosses (Fig. B2) with **(4) #8 x 1/4" Phillips Pan Head Screws** supplied and mount the entire assembly to the sub-dash. (Figure B)



VOLKSWAGEN POCKET

- 1 Disconnect the negative battery terminal to prevent an accidental short circuit.
- 2 Snap Pocket Trimplate **VW** (labeled TP-9008) onto the front of the **Pocket**. Locate the **X-5599L Bracket** and mount it to the “L” side of the Pocket with (3) #6 x 1/4" Phillips Flat Head Screws. Next locate the **X-5599R Bracket** and mount it to the “R” side of the Pocket with (3) #6 x 1/4" Phillips Flat Head Screws. (Figure A)
- 3 Pull out the plastic tray separating the dash cavity and remove the tray (“A”). Position the **Pocket** so each bracket is configured with (2) screws on the top and (1) screw on the bottom (“B”). Slide the pocket into the dash opening until the side clips engage. (Figure B)



KNOWLEDGE IS POWER

Enhance your installation and fabrication skills by enrolling in the most recognized and respected mobile electronics school in our industry. Log onto www.installerinstitute.com or call 800-354-6782 for more information and take steps toward a better tomorrow.



1-800-221-0932



www.metraonline.com